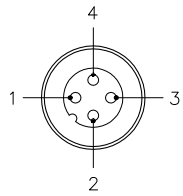
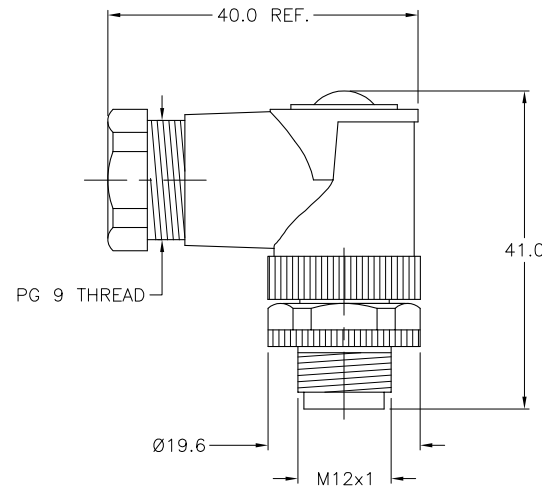


MALE END VIEW



SPECIFICATIONS

HOUSING MATERIAL/PLATING	PBT/BLACK
CONTACT MATERIAL/PLATING	BRASS/GOLD
COUPLING NUT MATERIAL/PLATING	BRASS/NICKEL
RATED CURRENT [A]	4.0 A
RATED VOLTAGE [V]	250 V
MAXIMUM WIRE SIZE	18 AWG
CABLE GRIP RANGE	6-8mm
TEMPERATURE RATING	-25°C to +85°C (-13°F to +185°F)
PROTECTION CLASS	IEC IP67
TERMINATION TYPE	SCREW TERMINAL



SOURCE DRAWING - FOR REFERENCE ONLY

RELATED DOCUMENTS 1. 2. 3. 4.	3RD ANGLE PROJECTION 	THIS DRAWING IS PROPERTY OF TURCK INC. USE OF THIS DOCUMENT WITHOUT WRITTEN PERMISSION IS PROHIBITED.		3000 CAMPUS DRIVE MINNEAPOLIS, MN 55441 1-800-544-7769 (763) 553-7300 (763) 553-0708 fax turck.com	
	MATERIAL SEE SPECIFICATIONS	ALL DIMENSIONS DISPLAYED ON THIS DRAWING ARE FOR REFERENCE ONLY	DRFT RDS DATE 05/15/07	DESCRIPTION BS 8241-0/PG 9	
FINISH SEE SPECIFICATIONS	DSGN SCALE 1=1.0		UNIT OF MEASUREMENT MILLIMETERS		IDENTIFICATION NO. U6561
D UPDATE SPECS AND DIMS RDS 03/27/08 20831	BY DATE ECO NO.	DO NOT SCALE THIS DRAWING		FILE: U6561	SHEET 1 OF 1

D	UPDATE SPECS AND DIMS	RDS	03/27/08	20831
REV	DESCRIPTION	BY	DATE	ECO NO.